



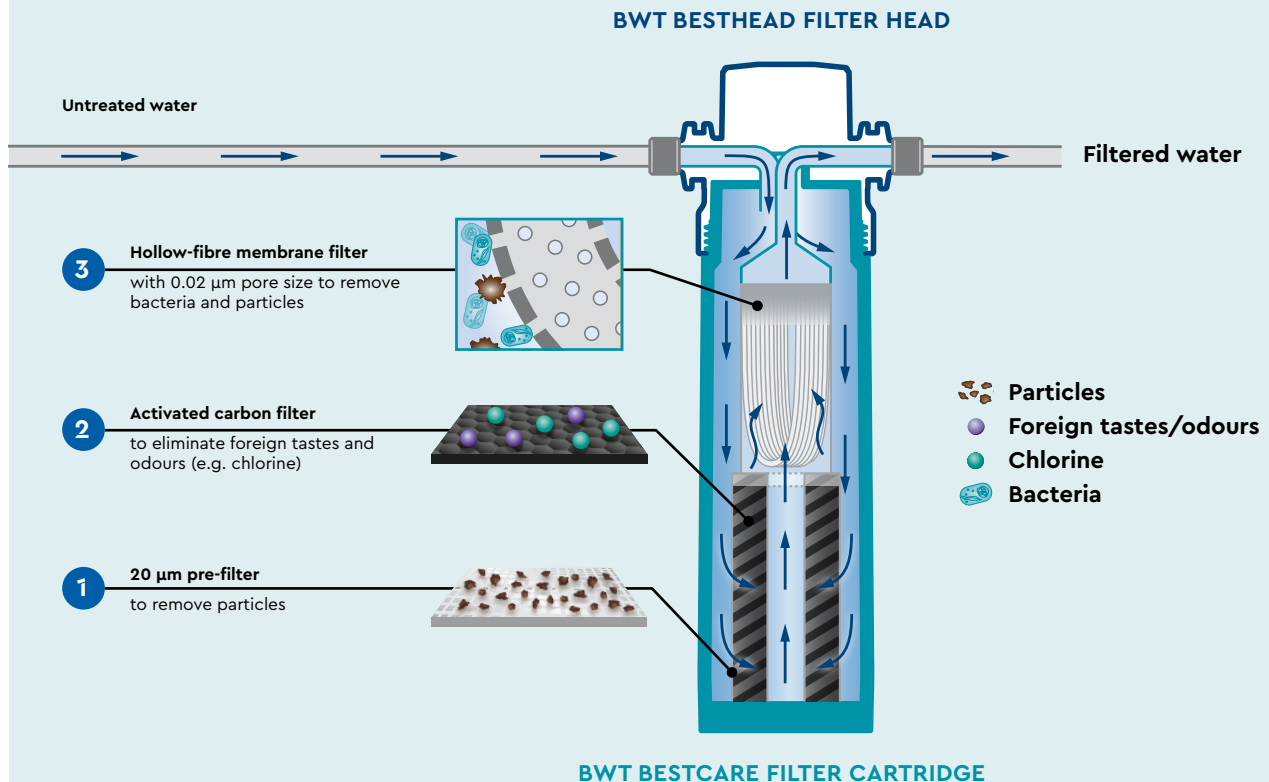
The germ catcher

OPTIMUM PROTECTION FOR WATER DISPENSERS AND ALL DRINKING WATER SYSTEMS

The high quality of drinking water in Europe is ensured by legal regulations and the regular inspection of waterworks. However, even good drinking water can be affected by surprising problems, such as the sudden ingress of particles or bacterial contamination. The cause of these issues is sometimes the public pipeline network and other times the installations in the affected building. No matter what the underlying problem is, drinking water systems and water dispensers then quickly become full of germs and have to be thoroughly cleaned. This is where BWT bestcare offers optimum protection, safely removing bacteria, particles, foreign tastes and foreign odours (e.g. chlorine) from the water. BWT bestcare is like insurance cover for your water!

Where can BWT bestcare be used?

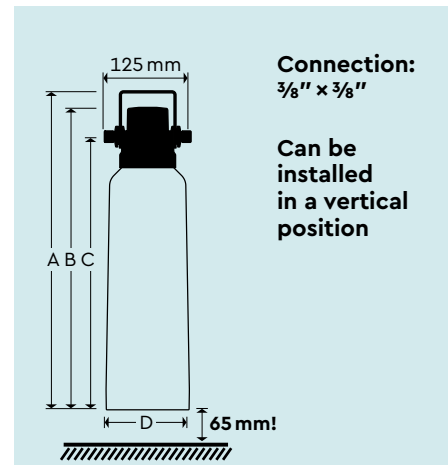
BWT bestcare is the ideal solution for all water dispensers and drinking water systems, but it can also be used wherever cold water has to be safe to drink directly at the point of consumption.



SPECIFICATIONS

Filter size	S
Maximum use [litres/months]	12,000/6 months
Nominal flow rate [l/h]	200
Pressure loss at nominal flow rate [bar]	0.8
Pore size of ultra-filtration membrane [μm]	0.02
Flow pressure [bar]	> 1.2
Flush volume [litres]	3-5
Ambient temperature during transport/storage [$^{\circ}\text{C}$]	-20-40
Height without bracket (B) in mm	350-360
Height with bracket (A) in mm	385
Connection height (C) in mm	306
\varnothing filter cartridge (D) in mm	88
Weight in kg (dry/wet)	1.0/1.2
Order no. filter cartridge	FS22B00A00

Subject to change.



OPERATING CONDITIONS

Inlet pressure:	2-8 bar
Water temperature:	4-30 $^{\circ}\text{C}$
Ambient temperature:	4-40 $^{\circ}\text{C}$

BWT BESTCARE – THE GERM CATCHER

Main advantages

- Integrated pre-filtration to maximise service life
- Activated carbon filter to ensure crystal-clear water
- Hollow-fibre membrane filter to retain 99.9999% (log 6) of bacteria
- Secure prevention of bacterial contamination
- Reduction of chlorine content
- Vertical installation

Technical features

- Special anti-bacterial filtration system
- Optimum protection and hygiene – ideal for drinking water dispensers
- Elimination of foreign odours and tastes (e.g. chlorine)
- Removal of particles and suspended solids
- Simple installation thanks to universal BWT besthead FLEX connection technology
- Space-saving and intuitive design



ACCESSORIES

	Description	Order number
BWT besthead FLEX filter head	BWT besthead FLEX with two 90° connectors, FLEX Insert straight connector 3/8" made of fibreglass	FS00Z20A00
BWT besthead FLEX Set 1	BWT besthead FLEX with two 90° connectors, FLEX Insert straight connector 3/8" made of fibreglass, DN 8 connection hose, 1.5 m, with ball valve, 90° FLEX Insert made of fibreglass, Internally threaded union nut 3/8", straight connector, FLEX Insert x straight connector 3/8" made of fibreglass, internally threaded reducer 3/4" x straight connector 3/8" made of fibreglass	FS00Z39A00



ALTERNATIVE PRODUCT

	Description	Order number
BWT bestcare MINI	BWT bestcare MINI is suitable for all water dispensers and drinking water systems – wherever cold water has to be safe to drink directly at the point of consumption.	FS10B00A00



MANUFACTURER:

BWT Holding GmbH
Walter-Simmer-Str. 4
A-5310 Mondsee

SALES:

BWT water+more Deutschland:
info@water-and-more.de · Tel.: +49 (0)611 58019-0

BWT water + more Austria:
kundenservice.wm@bwt-group.com · Tel.: +43 (0)6232 5011-1164

BWT Aqua AG Schweiz:
info@bwt-aqua.ch · Tel.: +41 (0)61 7558899


water + more