

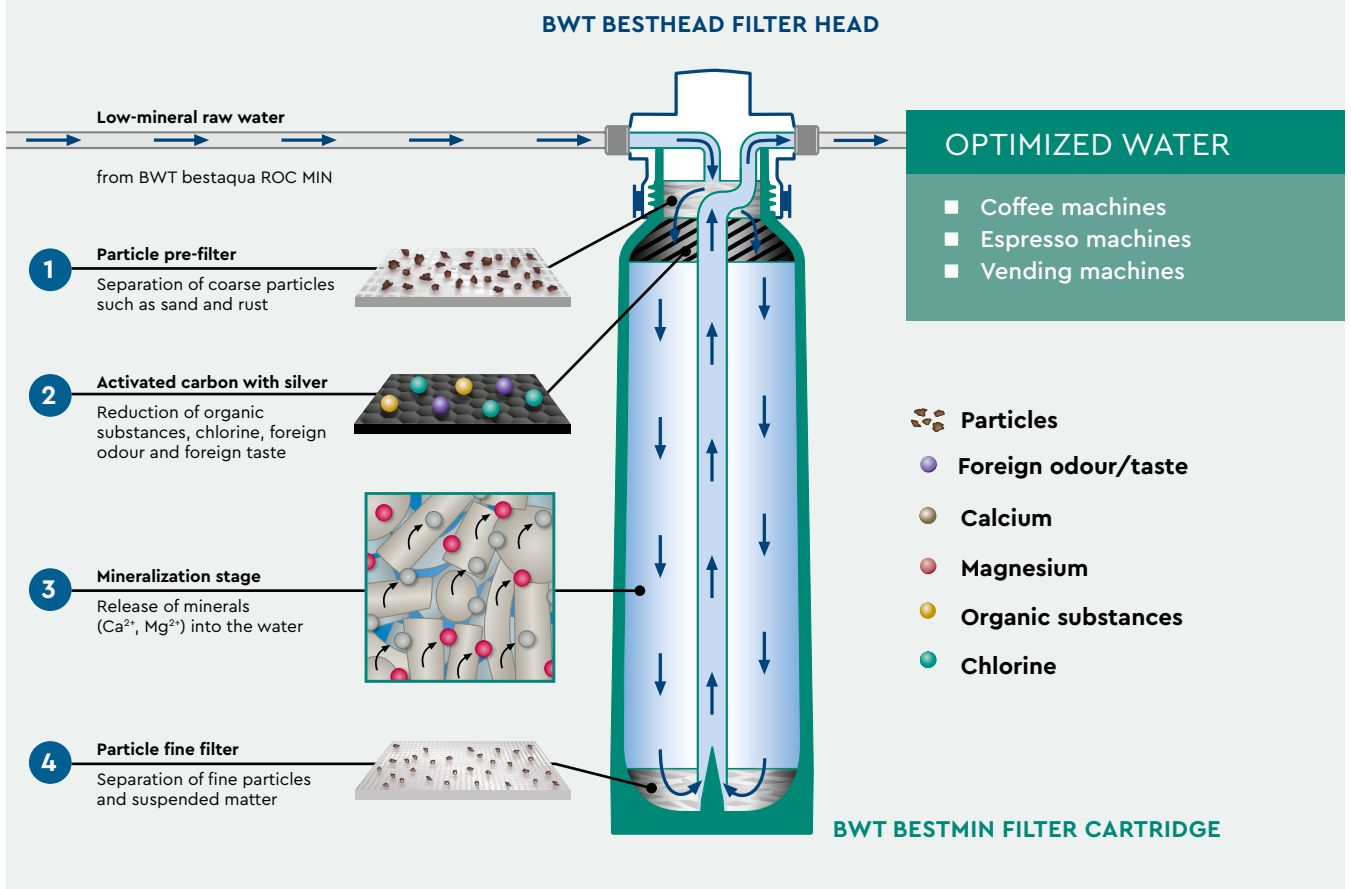


The Mineralizer

PERFECT MINERALIZED WATER FOR CATERING

BWT bestmin is a filter system for optimizing low-mineral water in order to make sensorily perfect coffee, coffee specialities or tea. The modular multi-stage filter reduces undesirable ingredients such as particles, flavourings and odours such as chlorine. Thanks to its mineralization level, this filter refines low-mineral raw water into a gourmet water that, in addition to calcium, contains valuable magnesium as a flavour carrier. BWT bestmin is therefore eminently suitable for [re]mineralizing water in a controlled and reproducible manner that is low in minerals either naturally or following processing by means of reverse osmosis.

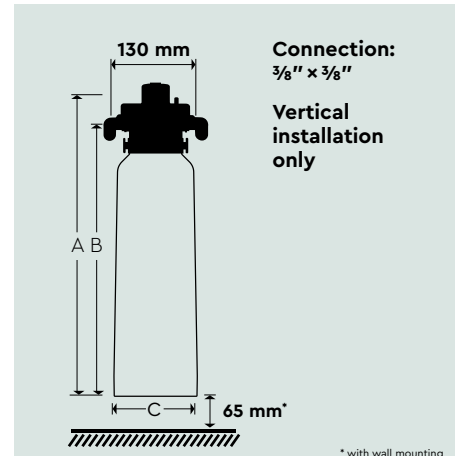
The filter system consists of a filter cartridge with a screwed on BWT besthead filter head. Check valves in the filter head prevent backflow and uncontrolled water discharge. Food grade BWT bestmin filter systems are pressure-resistant and safe. They can be used worldwide in all drinking water systems and with any coffee or vending machine.



TECHNICAL DATA

Filter size	M
Typical capacity in litres	10,000
Total height without bracket (A) in mm	485
Connection height (B) in mm	424
Ø filter cartridge (C) in mm	130
Weight in kg, (dry/wet)	4.1/5.6
Order no. for filter cartridge	FS24M10A00

Subject to change.



OPERATING CONDITIONS

Input pressure:	2-8 bar
Water temperature:	4-30 °C
Ambient temperature:	4-40 °C

BWT BESTMIN – THE MINERALIZER

Main advantages

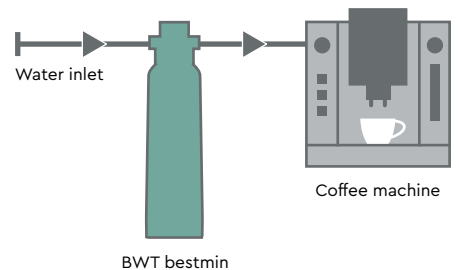
- Special filter system for remineralizing practically salt-free water
- Ideal in combination with the BWT bestaqua ROC MIN system for heavily salty and chlorinated raw water
- Produces an even mineral balance in the water to the benefit of magnesium
- Supplies perfect water for making sensorily high-quality hot beverages
- Ideal for soft water areas as well

Technical features

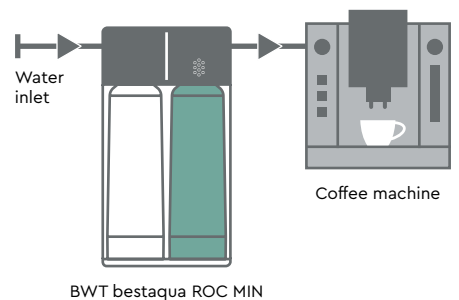
- Multistage filtration
- Integrated active carbon filtration
- Filtration of the complete processed water
- Simplest handling when changing filters
- Easy to install using universal BWT besthead FLEX connection system

USE/INSTALLATION

Standalone



Integral



BWT water+more products for remineralizing	BWT bestaqua PREMIUM	BWT bestmin	BWT bestmin COFFEE
Magnesium mineralizing based on BWT RO	✓		
Remineralizing based on BWT RO		✓	✓
BWT magnesium technology	✓		
Integrated active carbon filtration	✓	✓	
Retention of bacteria (log 6)	✓		✓
Retention of particles and microplastic (0.1 µm)	✓		✓
Use in BWT bestaqua ROC Coffee	✓		
Use in BWT bestaqua ROC MIN		✓	
Mineralizing of natural soft water		✓	✓
Standalone use without RO		✓	✓

ACCESSORIES

	Description	Order number
BWT besthead FLEX filter head	BWT besthead FLEX with 2 connectors 90° elbow, FLEX Insert, M 3/8" made from GFP	FS00Z20A00
BWT besthead FLEX Set 1	BWT besthead FLEX with 2 connectors 90° elbow, FLEX Insert, M 3/8" made from GFP, connection hose DN 8, 1.5 m, with ball valve, FLEX Insert 90° elbow made from GFP, cap nut FM 3/8", connector straight, FLEX Insert × M 3/8" made from GFP, reduction FM 3/4" × M 3/8" made from GFP	FS00Z39A00

MANUFACTURER:

BWT Holding GmbH:
Walter-Simmer-Str. 4
5310 Mondsee, Austria
BWT-WAM.COM

SALES:

BWT water+more
Deutschland GmbH:
info@water-and-more.de
Tel.: +49 611 58019-0

